



## LPDCMR

Die-Cast Aluminum Master LED Exit Sign, Remote Exit Sign Capable

DATE:

COMMENTS:

PROJECT:



### FEATURES

- Illumination 4 times brighter than UL 924 requirement with super-bright, long-life LEDs that have a 25+ year life expectancy.
- Master exit sign compatible with ELTMR & TLREM2 remote exit signs.
- Line-latch prevents unnecessary discharge of battery during installation. Loads will not illuminate until after application of utility power.
- Brownout detection ensures emergency operation during periods of low line voltage.
- Sealed external momentary test switch and dual diagnostic LED indicator displays AC presence and Hi-Charge status.
- Self-Test/Self-Diagnostic monitoring available.
- Zero current low-voltage disconnect used to prevent battery from being overly discharged.
- Unique, electronic driver circuit provides current control and protection, ensuring optimum LED efficiency and life with specialty finish upon request.
- 120/277 VAC with field selectable inputs (with the exception of the C1/C2 (Dual Circuit) option which requires voltage specification upon ordering).

CEC Title 20



CLICK THE IMAGE TO VIEW ALTERNATE PRODUCT PHOTOS

Only available with Adobe Acrobat and Acrobat Reader

### ORDERING INFORMATION LPDCMR-AC-G-1-BA-BA-MB

#### 1. SERIES

LPDCMR

#### 2. OPERATION

**AC** AC Only  
**EM** Ni-Cad Battery Backup

#### 3. ILLUMINATION

**G** Green  
**R** Red

#### 4. FACE COUNT

**1** Single  
**2** Double

#### 5. FACE & FRAME COLOR

**BA-BA** All Brushed Aluminum  
**BA-BK** Brushed Aluminum Face / Black Body  
**BA-WH** Brushed Aluminum Face / White Body  
**BK-BK** All Black  
**WH-WH** All White  
**CC** Custom Color

#### 6. MOUNTING

**MB** Back Mount  
**MRW** Recessed Wall  
**MRWLB** Recessed Wall, Less Back box  
**MPA** 12" Pendant Mount  
**MPB** 24" Pendant Mount  
**MPC** 36" Pendant Mount  
**MPD** 48" Pendant Mount  
**MTEB** Top/End/Back Mount

#### 7. OPTIONS

##### BLANK = NO OPTION

**C1** Dual Circuit - 120 VAC (AC Only)  
**C2** Dual Circuit - 277 VAC (AC Only)  
**SD** Self-Diagnostics (EM Only)  
**SR** Self-Diagnostics + IR Remote Testing Receiver (EM Only)  
**FL** Flasher

**FLA** Flasher/Audible Alarm  
**FA** Fire Alarm Interface  
**FAA** FA Option w/ Audible Alarm  
**LD** Damp Location  
**TP** Tamperproof Screws  
**VR** 1/8" Vandal Resistant Lens (Includes TP)

#### ORDERING NOTES

1. For remote exit signs, see TLREM2 and LPDCREM.
2. This product is not compatible with remote lamp heads.

#### ACCESSORIES; ORDER SEPARATELY

- **WG-16.5LX14.0WX3.0D** = Wireguard, Length: 16.5", Width: 14", Depth: 3"
- **WG-16.5LX14.0WX6.0D** = Wireguard, Length: 16.5", Width: 14", Depth: 6"
- **WG-20.0LX19.0WX9.0D** = Wireguard, Length: 20", Width: 19", Depth: 9"
- **WG-26.0LX19.0WX9.0D** = Wireguard, Length: 26", Width: 19", Depth: 9"
- **LPDC-ACCY-RBB** = Recessed Backbox for LPDC
- **TLRT** = Infrared Remote Control

## SPECIFICATIONS

### CONSTRUCTION

- Injection molded internal cavity reflector provides ease of installation and maintenance together with perfectly even legend illumination.
- Two piece, heavy-duty walls constructed from die cast aluminum alloy.
- Removable front stencil face with overlapping light seal.
- Hidden knock out access points and universal pattern.
- Optional recess frame, polycarbonate face shield with tamper proof access screws, and pendant & specialty mounts.

### LETTERS

- 6.0" high; 0.75" stroke

### ARROWS

- NFPA type, universal field-selectable chevrons.

### CANOPY SIZE

- 4.75" x 4.75" x 0.75"

### INPUT POWER

- AC models: Red 1.5W; Green 2.3W
- EM models: Red 2.5W; Green 3.0W
- EM w/Remote Exit Sign: Red 3.0W; Green 4.0W

### WEIGHT

- AC: 4.5 lbs
- EM: 5.25 lbs

### TEMPERATURE RATING

- From 32°F to 102°F

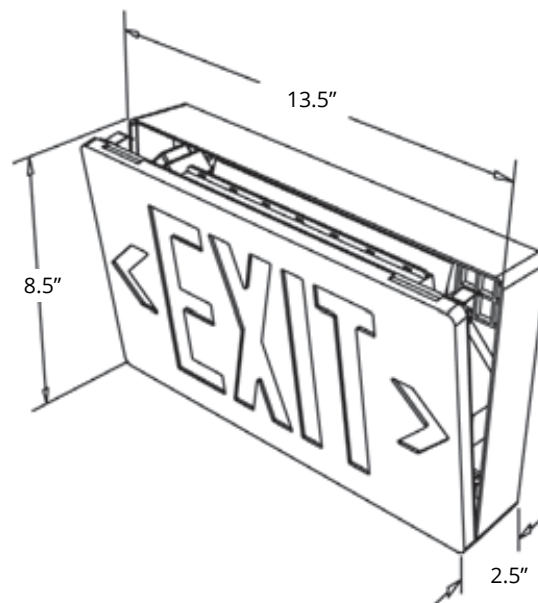
### APPROVALS

- UL 924 Listed to 100ft Visibility Distance
- CEC Title 20 Compliant
- NFPA Life Safety Code 101
- NFPA 70-NEC
- OSHA

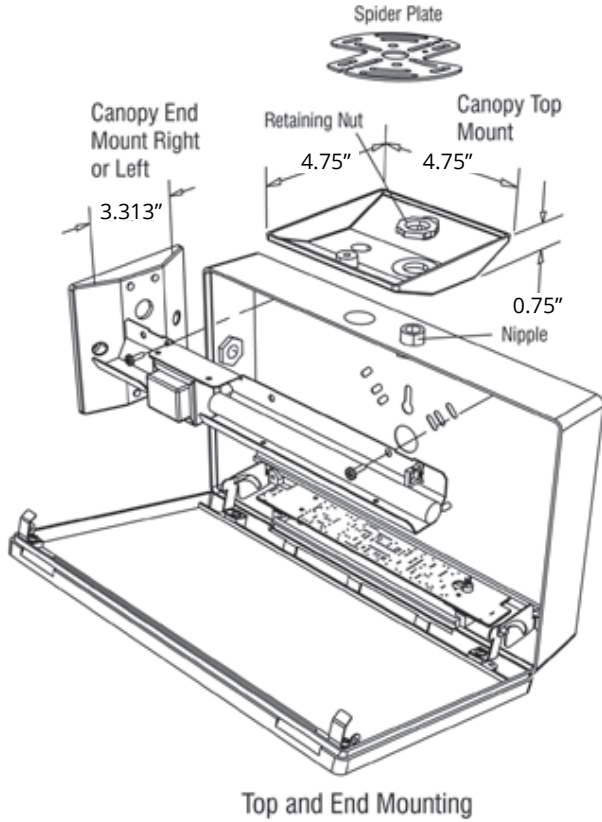
### WARRANTY

- Isolite offers a 5-year limited warranty. For further details, refer to General Warranty and Obligations in the Isolite manual or on our website.

## DIMENSIONS



**MOUNTING**



Octagon junction box  
(recessed in the ceiling  
supplied by others)

