

DATE:

COMMENTS:

PROJECT:

FEATURES

- Illumination 4 times brighter than UL 924 requirement with super-bright, long-life LEDs that have a 25+ year life expectancy.
- Fully self-contained components with captive screws.
- Premium long-life, high-temperature fused nickel cadmium battery with above standard UL listed 4-hour run time.
- Line-latch prevents unnecessary discharge of battery during installation. Loads will not illuminate until after application of utility power.
- Brownout detection ensures emergency operation during periods of low line voltage.
- Sealed external momentary test switch and dual diagnostic LED indicator displays AC presence and Hi-Charge status.
- Self-Test / Self-Diagnostic monitoring available.
- Zero current low-voltage disconnect used to prevent battery from being overly discharged.
- Unique electronic driver circuit provides current control and protection, ensuring optimum LED efficiency and life.
- Fine grain brushed aluminum stencil trim standard with specialty finish upon request.
- 120/277 VAC with field selectable inputs (with the exception of the C1/C2 (dual circuit) option which requires voltage specification upon ordering).



ORDERING INFORMATION *LPDC-HD-AC-G-1-BA-BA-MB*

1. SERIES	2. OPERATION	3. ILLUMINATION	4. FACE COUNT	5. FACE & FRAME COLOR
LPDC-HD	-	-	-	-
	AC AC Only EM Ni-Cad Battery Backup	G Green R Red	1 Single 2 Double	BA-BA All Brushed Aluminum BA-BK Brushed Aluminum Face / Black Body BA-WH Brushed Aluminum Face / White Body BK-BK All Black WH-WH All White CC Custom Color
6. MOUNTING	7. OPTIONS			
MB Back Mount MTEB Top/End/Back Mount	BLANK = NO OPTION C1 Dual Circuit - 120 VAC (AC Only) ⁴ C2 Dual Circuit - 277 VAC (AC Only) ⁴ SD Self-Diagnostics (EM Only) SR Self-Diagnostics + IR Remote Testing Receiver (EM Only) FL Flasher	FLA Flasher/Audible Alarm FA Fire Alarm Interface FAA FA Option w/Audible Alarm (12-24VDC Fire Alarm) LD Damp Location VR 1/8" Vandal Resistant Lens (Includes Tamperproof Screws)		

ACCESSORIES; ORDER SEPARATELY

- **WG-16.5LX14.0WX3.0D** = Wireguard, Length: 16.5", Width: 14", Depth: 3"
- **WG-16.5LX14.0WX6.0D** = Wireguard, Length: 16.5", Width: 14", Depth: 6"
- **WG-20.0LX19.0WX9.0D** = Wireguard, Length: 20", Width: 19", Depth: 9"
- **WG-26.0LX19.0WX9.0D** = Wireguard, Length: 26", Width: 19", Depth: 9"
- **TLRT** = Infrared Remote Control

SPECIFICATIONS

CONSTRUCTION

- Made from two piece, thick wall, heavy-duty, die-cast aluminum alloy.

LETTERS

- 6.0" high; 0.75" stroke

ARROWS

- NFPA type, universal field-selectable chevrons.

INPUT POWER

- AC models: Red 1.5W; Green 2.3W
- EM models: Red 2.5W; Green 3.0W
- EM w/Remote: Red 3.0W; Green 4.0W

TEMPERATURE RATING

- From 32°F to 102°F

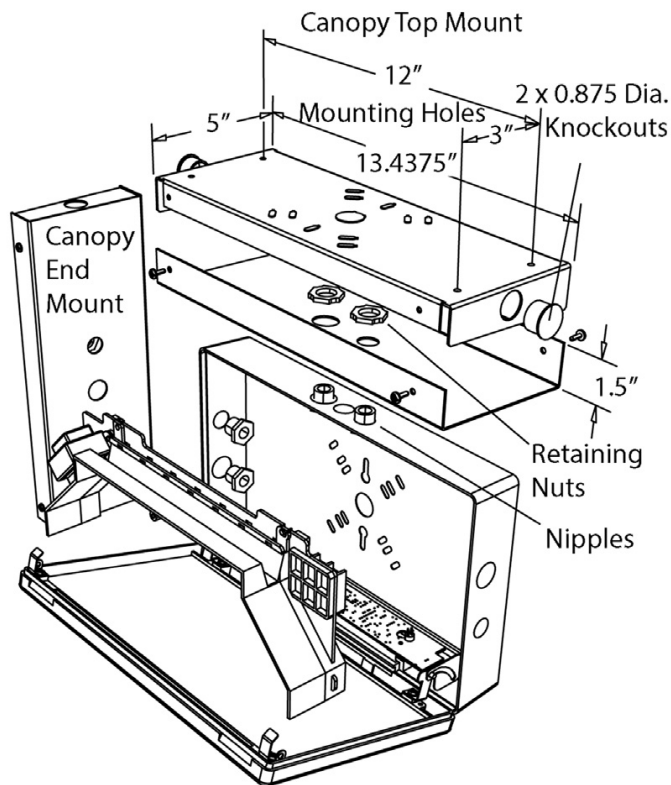
APPROVALS

- UL 924
- CEC Title 20 Compliant
- NFPA Life Safety Code 101
- NFPA 70-NEC
- OSHA

WARRANTY

- Isolite offers a 5-year limited warranty. For further details, refer to General Warranty and Obligations in the Isolite manual or on our website.

DIMENSIONS



MOUNTING

