

DATE:	COMMENTS:
PROJECT:	

FEATURES



- NEMA 4X rated corrosion resistant, fully gasketed ABS thermoplastic housing for wet locations.
- Mounting options include back, ceiling, end, or pendant mounting.
- Industrial gray finish with removable chevrons is standard.
- Utilizes maintenance-free, sealed lead calcium battery.
- Uses high output LEDs.
- Uses solid state transfer and charger to eliminate relay failure caused by particle build-up.
- Line-latch prevents unnecessary discharge of battery during installation. Loads will not illuminate until after application of utility power.
- Temperature compensated components in the circuitry to prevent humidity and condensation build up.
- Brownout detection ensures emergency operation during periods of low line voltage.
- External LED indicator.
- Capable of powering multiple remote heads.
- 120/277 field selectable inputs (with the exception of the H1/H2 (Internal Heater) option which requires voltage specification upon ordering).



ORDERING INFORMATION *HLX-C-LC-12V27W-1-G-MB-2-NRH-L125*

1. SERIES	2. OPERATION TYPE	3. OPERATION			7. HEAD COUNT	
HLX-C	-	-			-	
	LC Lead Calcium Battery Backup	6V18W 6 Volts, 18 Watts 6V27W 6 Volts, 27 Watts 6V36W 6 Volts, 36 Watts 6V60W 6 Volts, 60 Watts	6V72W 6 Volts, 72 Watts 12V27W 12 Volts, 27 Watts 12V36W 12 Volts, 36 Watts 12V60W 12 Volts, 60 Watts	12V72W 12 Volts, 72 Watts 12V120W 12 Volts, 120 Watts 12V140W 12 Volts, 140 Watts	0	No Heads
	NC Ni-Cad Battery Backup	6V22W 6 Volts, 22 Watts 6V42W 6 Volts, 42 Watts	6V54W 6 Volts, 54 Watts 6V90W 6 Volts, 90 Watts	12V42W 12 Volts, 42 Watts 12V90W 12 Volt, 90 Watt	1	One Head
					2	Two Heads
4. ILLUMINATION	5. FACE COUNT	6. MOUNTING		7. HEAD COUNT		
G Green R Red	1 Single 2 Double	MB Back Mount MEL End Mount (Left Side) MER End Mount (Right Side) MT Top Mount ²	MPAB 12" Swivel Pendant Kit (Black) MPABA 12" Swivel Pendant Kit (Brushed Aluminum) MPAW 12" Swivel Pendant Kit (White)	0	No Heads	
				1	One Head	
				2	Two Heads	
8. HEAD STYLE	9. HEAD LOCATION	10. LAMP SOURCE	11. OPTIONS			
HNS HNS Lamp Heads NRH NRH Lamp Heads	ME End Mount / Side Mount MT Top Mount ¹	See Lamp Chart for Part # Example: LED 6V 5W = "L65"	BLANK = NO OPTION SD Self-Diagnostics H1 Internal Heater - 120 VAC H2 Internal Heater - 277 VAC	AA Audible Alarm (Buzzer) T1 Time Delay - 120 VAC (15 min.) T2 Time Delay - 277 VAC (15 min.)		

ORDERING NOTES

1. MT mounting must indicate if its a single or double face.

ACCESSORIES; ORDER SEPARATELY

- **WG-20.0LX19.0WX9.0D** = Wireguard, Length: 20", Width: 19", Depth: 9"
- **WG-26.0LX19.0WX9.0D** = Wireguard, Length: 26", Width: 19", Depth: 9"
- **TLRT-IND** = Infrared Remote Control for Industrial Products



SPECIFICATIONS

CONSTRUCTION

- Corrosion resistant, fully gasketed fiberglass housing with hot bonded silicone.

LETTERS

- 6.0" high; 0.75" stroke

ARROWS

- NFPA type, universal field selectable chevrons.

TEMPERATURE RATING

- Without Internal Heater: From 50°F to 104°F
- With Internal Heater: From -4°F to 104°F

APPROVALS

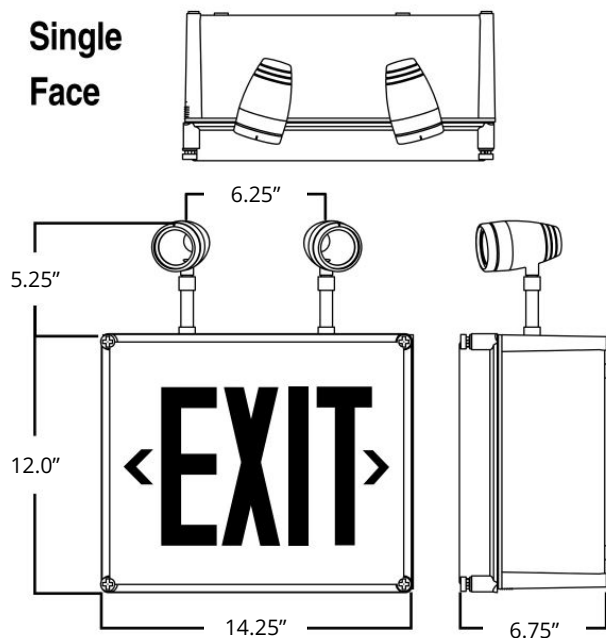
- Intertek Verified Splash Zone
- CSA-US listed
- UL 924
- IP44
- NFPA 101 Life Safety Code
- NFPA 70-NEC
- OSHA
- BAA Compliant
- NEMA 4X

WARRANTY

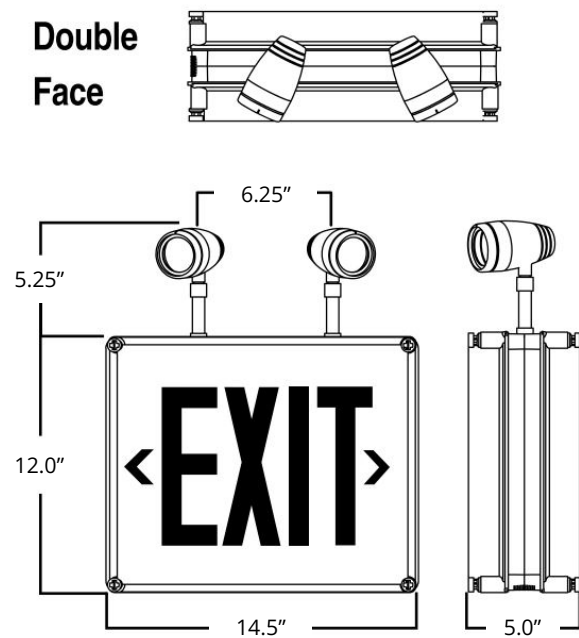
Isolite offers a 5-year limited warranty. For further details, refer to General Warranty and Obligations in the Isolite manual or on our website. Lamps not warranted.

DIMENSIONS

Single Face



Double Face



LAMP CHARTS

L - LED		
	6V	12V
2W		L122
5W	L65	L125
7W	L67	L127

LAMP SPACING

UNIT SPACING - 9 FT MOUNTING HEIGHT	
LAMP WATTAGE	SPACING (MULTIPLE UNITS)
2W	50'
5W	60'
7W	100'
HNS	250'