



HL

NEMA 4X 18-360 Watt Emergency Light

DATE:	COMMENTS:
PROJECT:	

FEATURES

- Ideal for use in hostile areas where oil, water, and dust resistant equipment are required.
- Suitable for NEMA 4, 4X, 12, and 13 applications.
- Premium, fully AC limited, "Pulse Switching" charger provides ideal charge conditions for optimum battery performance and life.
- Sealed external momentary test switch and dual diagnostic LED indicator display AC presence and Hi-Charge status.
- External four hole mounting system ensures proper and secure installation with minimal cabinet intrusion.
- Front access panel is hinged for trouble-free installation and ease of maintenance.
- Two fully adjustable, top mounted, MR16 LED style lighting heads
- Capable of powering multiple remote heads.
- Unique locking twist-collar securely holds the lens for quick and easy re-lamping
- Low voltage cut-off prevents battery damage and ensures positive charge acceptance following an extended discharge.
- Self-Test/Self-Diagnostic monitoring is available.
- Uses maintenance free, sealed lead calcium or nickel cadmium battery for 90 minute emergency run time.
- Short circuit battery protection is standard in all units.
- Brownout detection ensures emergency operation during periods of low line voltage.
- Line-latch prevents unnecessary discharge of battery during installation. Loads will not illuminate until after application of utility power.
- Key hole mounting slots and conduit knockouts are provided for additional mounting options.
- 120/277 VAC field selectable inputs (with the exception of the H1/H2 (Internal Heater), and TD (Time Delay) options which require voltage specification upon ordering)¹.



CLICK THE IMAGE TO VIEW ALTERNATE PRODUCT PHOTOS
Only available with Adobe Acrobat and Acrobat Reader

ORDERING INFORMATION HL-LC-12V120W-MB-1-NRH-MT-H1212

1. SERIES	2. BATTERY TYPE	3. OPERATION			
HL	-	-			
	LC Lead Calcium Battery Backup	6V18W 6 Volts, 18 Watts	6V200W 6 Volts, 200 Watts	12V160W 12 Volts, 160 Watts	
		6V27W 6 Volts, 27 Watts	12V27W 12 Volts, 27 Watts	12V180W 12 Volts, 180 Watts	
		6V36W 6 Volts, 36 Watts	12V36W 12 Volts, 36 Watts	12V360W 12 Volts, 360 Watts	
		6V60W 6 Volts, 60 Watts	12V60W 12 Volts, 60 Watts	24V280W 24 Volts, 280 Watts	
		6V72W 6 Volts, 72 Watts	12V72W 12 Volts, 72 Watts	24V360W 24 Volts, 360 Watts	
		6V100W 6 Volts, 100 Watts	12V120W 12 Volts, 120 Watts		
		6V120W 6 Volts, 120 Watts	12V140W 12 Volts, 140 Watts		
	NC Ni-Cad Battery Backup	6V22W 6 Volts, 22 Watts	12V42W 12 Volts, 42 Watts	24V100W 24 Volts, 100 Watts	
		6V42W 6 Volts, 42 Watts	12V90W 12 Volt, 90 Watt	24V200W 24 Volts, 200 Watts	
		6V54W 6 Volts, 54 Watts	12V130W 12 Volts, 130 Watts		
		6V90W 6 Volts, 90 Watts	12V200W 12 Volts, 200 Watts		
4. MOUNTING	5. HEAD COUNT	6. HEAD STYLE	7. HEAD LOCATION	8. LAMP SOURCE ²	
MB	-	-	MT	-	
MB Back Mount	0 No Heads 1 One Head 2 Two Heads	HNS HNS Lamp Heads ¹ NRH NRH Lamp Heads	MT Top Mount	L65 LED 6V 5W L67 LED 6V 7W L122 LED 12V 2W L125 LED 12V 5W	L127 LED 12V 7W L245 LED 24V 5W L247 LED 24V 7W

9. OPTIONS

BLANK = NO OPTION

- SD** Self-Diagnostics
- SR1** Self-Diagnostics + IR Remote Testing Receiver (120 VAC)
- SR2** Self-Diagnostics + IR Remote Testing Receiver (277 VAC)
- H1** Internal Heater - 120 VAC
- H2** Internal Heater - 277 VAC

- FA** Fire Alarm Interface
- LF** Food Prep Lens
- T1** Time Delay - 120 VAC
- T2** Time Delay - 277 VAC

ORDERING NOTES

1. When Selecting the HNS heads, skip the lamp selection field
2. Additional lamp options may be available, please contact Quotes@Isolite.com if non-LED lamps are required.

ACCESSORIES ON BACK

ACCESSORIES; ORDER SEPARATELY

- **TLRT-IND** = Infrared Remote Control for Industrial Products
- **WG-26.0LX19.0WX9.0D** = Wireguard, Length: 26", Width: 19", Depth: 9"

SPECIFICATIONS
CONSTRUCTION

- Fully gasketed NEMA 4X rated fiberglass housing
- Durable, gray powder coat finish

TEMPERATURE RATING

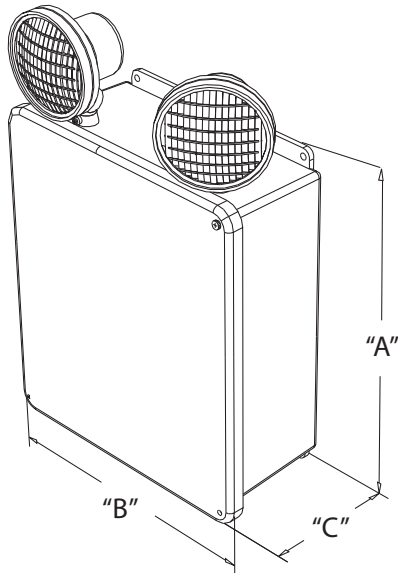
- Without Internal Heater: From 50°F to 104°F
- With Internal Heater: From -4°F to 104°F

APPROVALS

- NEMA 4X
- IP66
- CSA-US listed
- Meets or exceeds UL 924 standards
- NFPA 101 Life Safety Code
- NFPA 70-NEC
- OSHA
- BAA Compliant

WARRANTY

Isolite offers a 3-year limited warranty. For further details, refer to General Warranty and Obligations in the Isolite manual or on our website. Lamps not warranted.

DIMENSIONS


DIMENSION CHART			
CABINET	A	B	C
B	11.44"	9.25"	5.44"
C	13.44"	11.25"	5.44"
D	15.5"	13.38"	6.25"
E	17.5"	15.38"	6.25"

NOTE

Please see corresponding cabinet letters next to battery size on right.

LAMP SPACING

UNIT SPACING - 9 FT MOUNTING HEIGHT	
LAMP WATTAGE	SPACING (MULTIPLE UNITS)
2W	50'
5W	60'
7W	100'
HNS	250'