

DATE:

PROJECT

COMMENTS:

## FEATURES

- Spec grade with a universal surface mount option for simplified installation.
- Premium long-life, high-temperature fused nickel cadmium battery with standard UL listed 3-hour run time.
- Standard battery diagnostic system monitors battery status, detects cell failure, and issues an alert when there's reduced capacity, indicating the need to replace the battery.
- Line-latch prevents unnecessary discharge of battery during installation. Loads will not illuminate until after application of utility power.
- Specialty wording, finish, and custom graphics available with white LEDs upon request (See ELTCG2).
- Low profile recessed housing is suitable for old or new work installations and is IC rated.
- Brownout detection ensures emergency operation during periods of low line voltage.
- Sealed external momentary test switch and dual diagnostic LED indicator displays AC presence and Hi-Charge status.
- Self-Test / Self-Diagnostic monitoring available.
- Zero current low-voltage disconnect used to prevent battery from being overly discharged.
- Slimline, low profile surface mount housing eliminates need for recessed box in wall mount applications.
- Unique electronic driver circuit provides current control and protection, ensuring optimum LED efficiency and life.
- 120/277 VAC with field selectable inputs (with the exception of the dual-circuit option which requires voltage specification upon ordering).
- Available in Master/Remote combinations (See ELTMR2).



CLICK THE IMAGE TO VIEW ALTERNATE PRODUCT PHOTOS

Only available with Adobe Acrobat and Acrobat Reader

## ORDERING INFORMATION ELT2-AC-G-1C-AG-BA-MB-AB

1. SERIES	2. OPERATION	3. LETTER COLOR	4. FACE COUNT	5. FRAME STYLE	6. FRAME COLOR
ELT2	-	-	-	-	-
	AC AC Only EM Ni-Cad Battery Backup	G Green G8 Green 8" letter R Red R8 Red 8" letter	1C Single Face, Clear Background 1M Single Face, Mirror Background 1W Single Face, White Background 2M Double Face, Mirror Background 2W Double Face, White Background	AG Angular Trim FT Flat Trim <sup>1</sup> <small>1. Only available with recessed mount.</small>	BA Brushed Aluminum BK Black BR Painted Brass WH White CC Custom Color

## 7. MOUNTING

MRC Recessed Ceiling Mount	MPB 24" Pendant Mount
MT Top Mount	MPC 36" Pendant Mount
MB Back Mount	MPD 48" Pendant Mount
ME End Mount / Side Mount	MPE 60" Pendant Mount
MPA 12" Pendant Mount	MTEB Top / End / Back Mount

MMT Mullion Mount Top
MMB Mullion Mount Bottom
MRCLB Recessed Ceiling Mount, Preship Backbox <sup>2</sup>

## 8. CHEVRON

AB Double Arrow
AL Arrow Left
AN No Arrows
AR Arrow Right
AS Right & Left Arrow (Double Face Only)
AU Universal Chevron Kit

## 9. OPTIONS

### BLANK = NO OPTION

CX Dual Circuit - Universal Voltage

SD Self-Diagnostics (EM Only)

SR Self-Diagnostics + IR Remote Testing Receiver (EM Only)

VF Other Input Voltage (Indicate Volt & Frequency)

FL Flasher

FA Fire Alarm Interface

FLA Flasher / Audible Alarm

FAA FA Option w/Audible Alarm

DL Damp Location Listed

OW Old Work Clips<sup>1</sup>

### ORDERING NOTES

1. Only available with recessed mount

2. Must Order ELT2-ACCY-RBB with MRCLB option

### ACCESSORIES ON BACK

**ACCESSORIES; ORDER SEPARATELY**

- **ELT2-ACCY-RBB** = Recessed Backbox for ELT2
- **TLRT** = Handheld Remote Control Test Unit, used with SR option
- **WG-20.0LX19.0WX9.0D** = Wireguard, Length: 20", Width: 19", Depth: 9"
- **WG-26.0LX19.0WX9.0D** = Wireguard, Length: 26", Width: 19", Depth: 9"

**SPECIFICATIONS**
**CONSTRUCTION**

- "Snap-in Lens" for easy installation.
- Recessed back box can be pre-installed at job site
- Precision die-cast aluminum housing with a flawless, laser-formed acrylic legend
- Hinged springs allow for concealed mounting hardware on recessed models
- Recessed back box meets New York specifications

**INPUT POWER**

- AC models: Red 1.5W; Green 2.3W
- EM models: Red 2.5W; Green 3.0W

**LETTERS**

- 6.0" high; 0.75" stroke

**ARROWS**

- Full Size Chevrons: Either factory installed, or self-adhesive chevron kit and template for on-site installation

**WEIGHT**

- Surface Wall/Ceiling/End/Mullion Mount: 9 lbs
- Recessed Ceiling: 8 lbs
- Back Box: 4 lbs

**TEMPERATURE RATING**

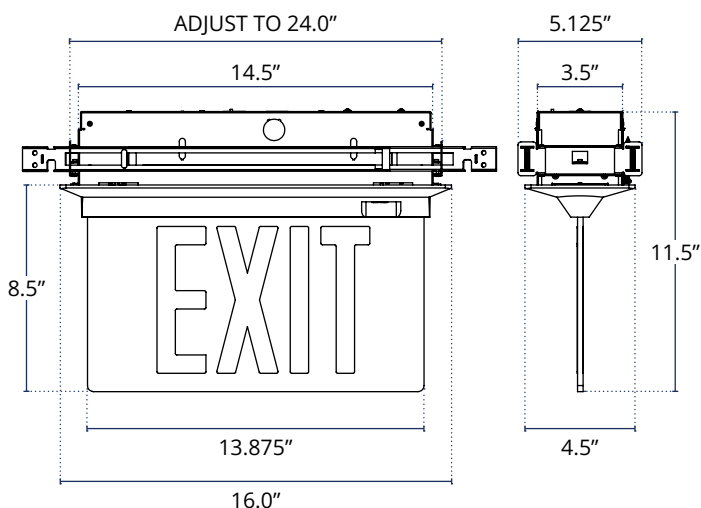
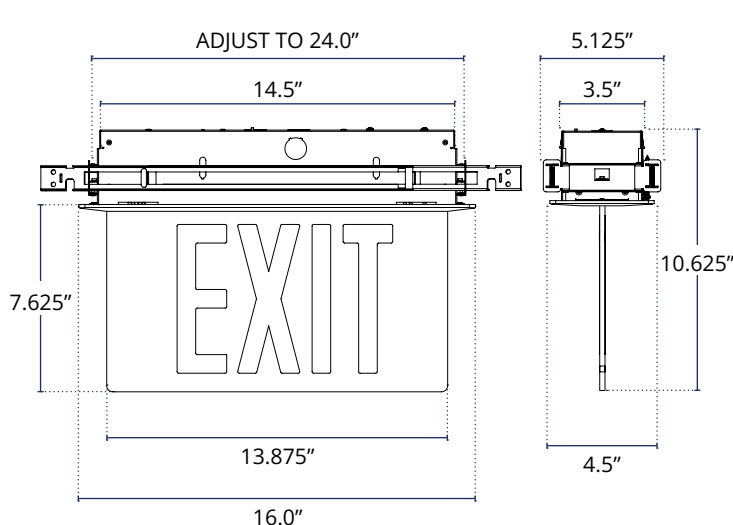
- From 32°F to 102°F

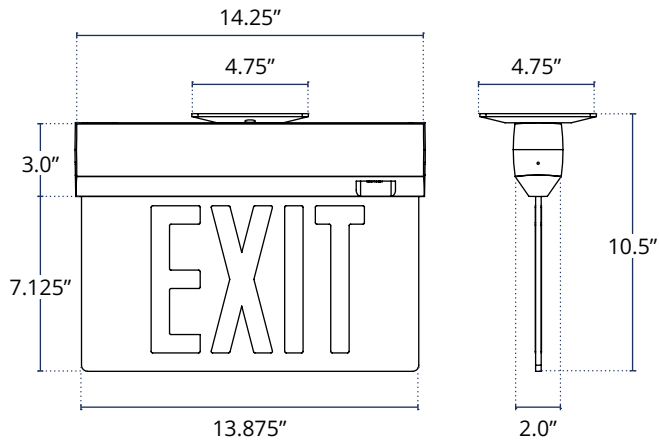
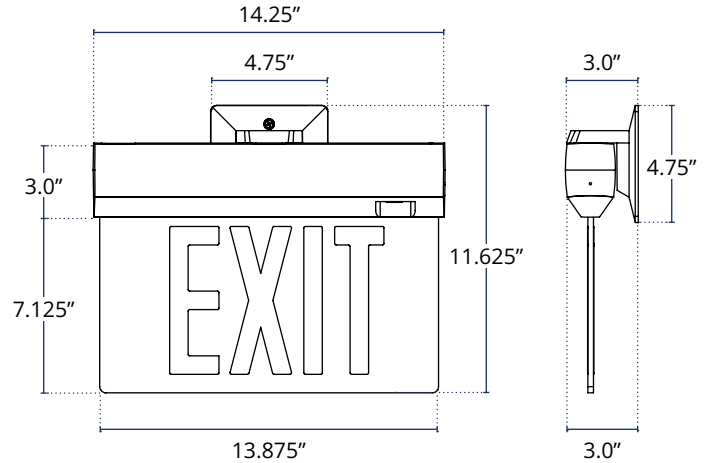
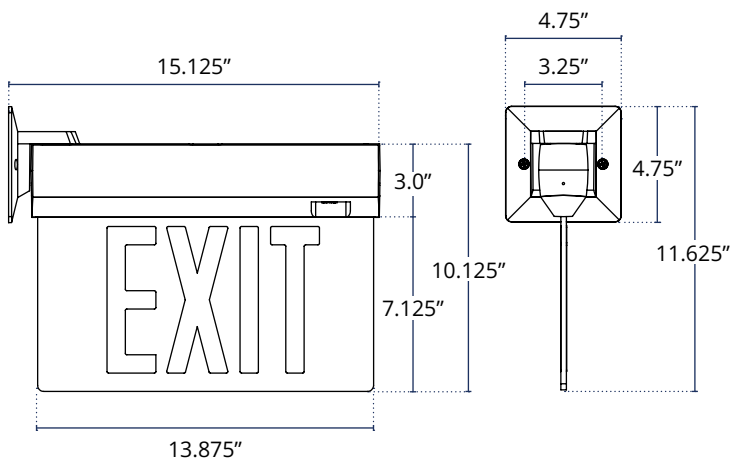
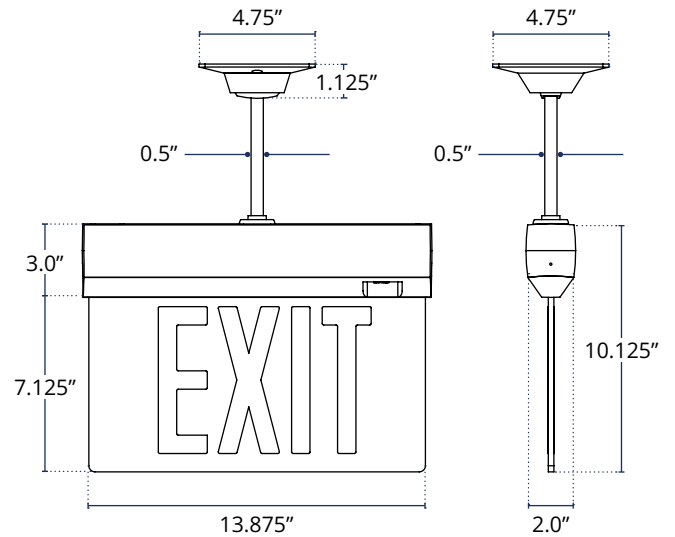
**APPROVALS**

- UL 924
- CEC Title 20
- NFPA 101
- NFPA 70
- OSHA
- Backbox is IC rated and meets NYC and City of Chicago Specifications
- FCC Title 47 Part 15, Subpart B
- BAA Compliant

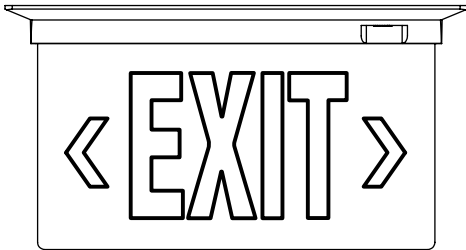
**WARRANTY**

- Isolite offers a 5-year limited warranty. For further details, refer to General Warranty and Obligations in the Isolite manual or on our website

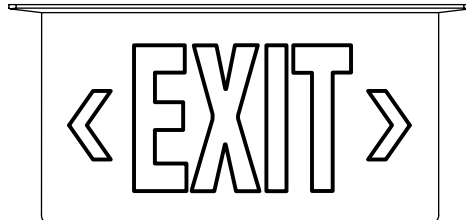
**DIMENSIONS**
**ANGLED TRIM RECESSED MOUNT**

**FLAT TRIM RECESSED MOUNT**


**DIMENSIONS (CONTINUED)**
**TOP MOUNT**

**BACK MOUNT**

**END / SIDE MOUNT**

**PENDANT MOUNT**


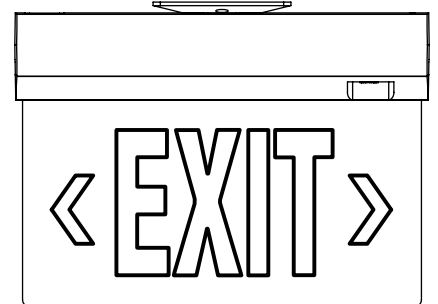
**MOUNTING CONFIGURATION**



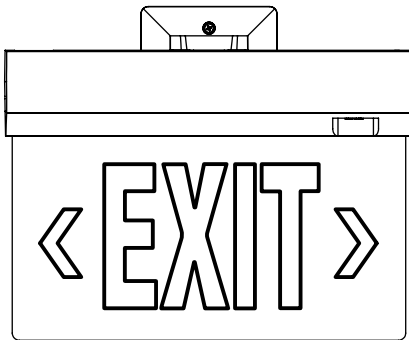
Angled Trim Mount  
(Recessed Only)



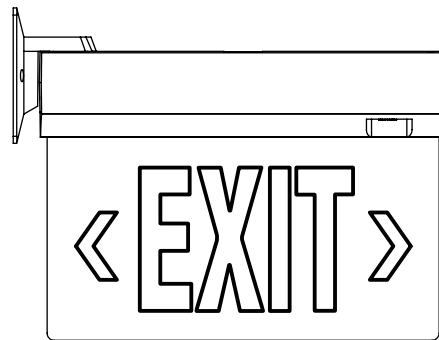
Flat Trim Mount  
(Recessed Only)



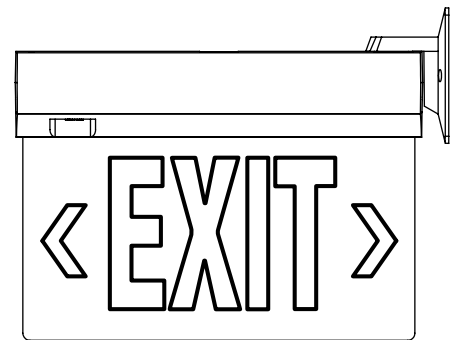
Top Mount  
(Surface Only)



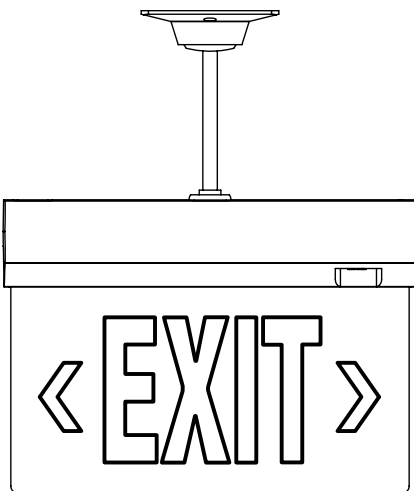
Back Mount  
(Surface Only)



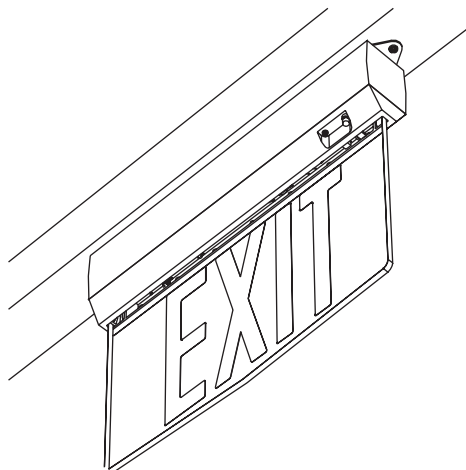
End/Side Mount - Left  
(Surface Only)



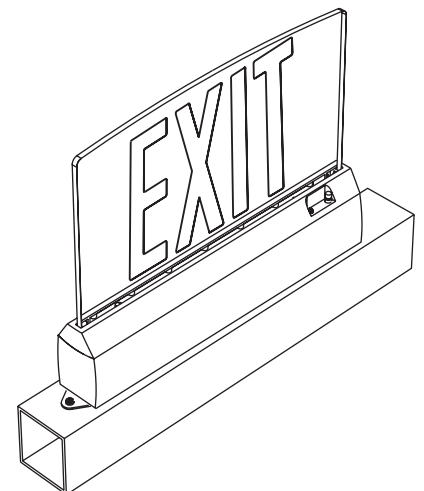
End/Side Mount - Right  
(Surface Only)



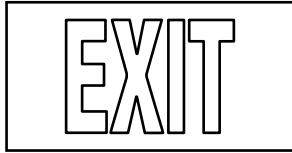
Pendant Mount



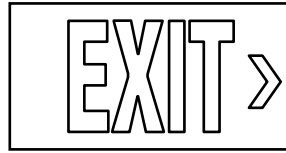
Mullion Mount Top  
(MMT)



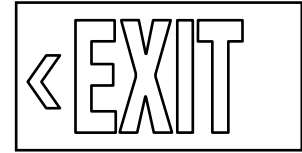
Mullion Mount Bottom  
(MMB)

**CHEVRON DECODER**


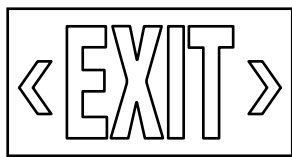
No Arrows (AN)



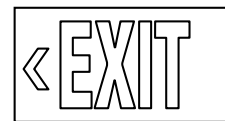
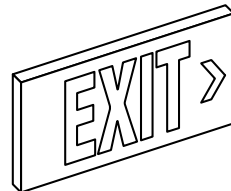
Arrow Right (AR)



Arrow Left (AL)



Double Arrow (AB)

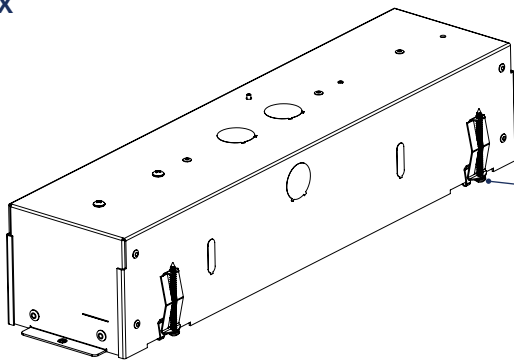
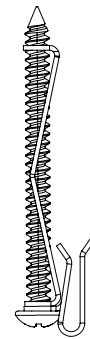
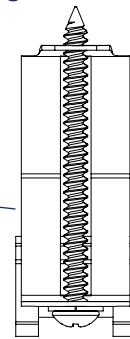


SIDE A



SIDE B

Left &amp; Right Arrow (AS)

*Double Face Only*
**OLD WORK CLIPS (OW)**
**BACK BOX**

**BACK BOX CLIPS**

**OLD TO NEW PANEL REPLACEMENT FOR ELT**

FROM	TO									
	ELT 1C	ELT 1M	ELT 1W	ELT 2M	ELT 2W	ELT2 1C	ELT2 1M	ELT2 1W	ELT2 2M	ELT2 2W
ELT 1C		No	No	No	No	Yes	Yes	Yes	Yes	Yes
ELT 1M	No		Yes	Yes	Yes	No	No	No	No	No
ELT 1W	No	Yes		Yes	Yes	No	No	No	No	No
ELT 2M	No	Yes	Yes		Yes	No	No	No	No	No
ELT 2W	No	Yes	Yes	Yes		No	No	No	No	No
ELT2 1C	Yes	No	No	No	No		Yes	Yes	Yes	Yes
ELT2 1M	Yes	No	No	No	No	Yes		Yes	Yes	Yes
ELT2 1W	Yes	No	No	No	No	Yes	Yes		Yes	Yes
ELT2 2M	Yes	No	No	No	No	Yes	Yes	Yes		Yes
ELT2 2W	Yes	No	No	No	No	Yes	Yes	Yes	Yes	

**ELT2 MOUNTING REPLACEMENTS**

FROM	SURFACE BACK/WALL	SURFACE TOP/CEILING	SURFACE END/FLAG	NOTES
SURFACE BACK/WALL		Yes	Yes	Remove gooseneck from canopy to ceiling mount
SURFACE TOP/CEILING	No		No	Requires gooseneck kit
SURFACE END/FLAG	Yes	Yes		Remove gooseneck from canopy to ceiling mount