



AIR

Architectural Indoor LED Emergency Light

DATE:

PROJECT:

COMMENTS:

FEATURES

- Each lamp head can be adjusted up to 20° and rotated up to 90° away from the wall.
- Self-Test/Self-Diagnostics are standard and ensure reliability. Performs a monthly test and continuously monitors critical functions to ensure reliability. Manual tests may be initiated by pressing the test switch or IR remote at any time.
- Ensures a 90-minute emergency duration and environmentally friendly end-of-life cycling.
- Zero current LVCO ensures positive charge acceptance following an extended battery discharge.
- Surge, overload, and short circuit protection are provided, along with a battery line latch.
- Brownout sensing is incorporated to ensure emergency illumination during periods of low line voltage.
- Installation is made easy with snap-lock latches and retaining hinges, eliminating the need for tools.
- The product boasts modular assembly and quick connector wiring, facilitating fast installation and easy maintenance.
- Aimable heads and a custom-designed lens optic contribute to optimal light distribution.
- The maximum mounting height for the product is 28 feet.



CLICK THE IMAGE TO VIEW ALTERNATE PRODUCT PHOTOS

Only available with Adobe Acrobat and Acrobat Reader

ORDERING INFORMATION AIR-BK-MB

1. SERIES

AIR

2. OPERATION

9W 9 Watts
16W 16 Watts

3. FINISH

BK Black
WH White

4. MOUNTING

MB

MB Back Mount

5. OPTIONS

BLANK = NO OPTION
TD Time Delay 120/277VAC (15 min)

SPECIFICATIONS

CONSTRUCTION

- 5VA flame rated, injection molded ABS thermoplastic housing in white or black finish.
- Extruded aluminum LED heat sinks for optimal LED operation and long life.

ILLUMINATION

- 9W: Two high performance 4.5W LED lampheads, each producing 425 lumens (850 lumen unit total).
- 16W: Two high performance 8W LED lampheads, each producing 840 lumens (1680 lumen unit total).

BATTERY

- 9W: 3.6V long life, high capacity, maintenance free nickel-metal hydride battery.
- 16W: 9.6V long life, high capacity, maintenance free nickel-metal hydride battery.

MOUNTING

- Universal field selectable back plate knocks out mounting pattern.
- Optional top feed conduit entry.

TEMPERATURE RATING

- From 50°F to 104°F

APPROVALS

- UL 924
- UL Listed for Damp Location
- CEC Title 20 Compliant
- NFPA 101 Life Safety Code
- NFPA 70-NEC
- OSHA
- BAA Compliant

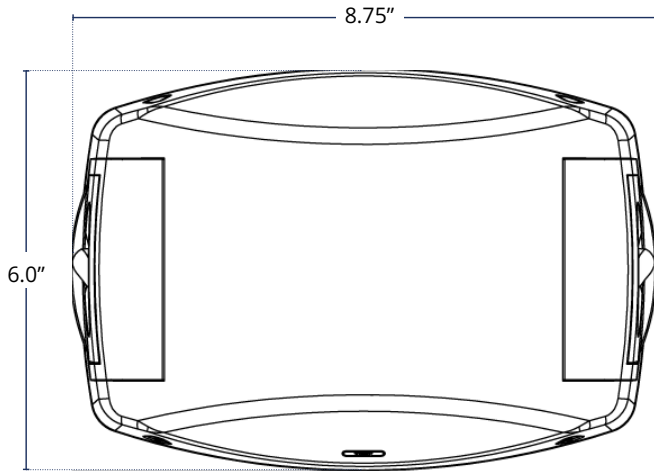
WARRANTY

- Isolite offers a 5-year limited warranty. For further details, refer to General Warranty and Obligations in the Isolite manual or on our website. Lamps not warranted.

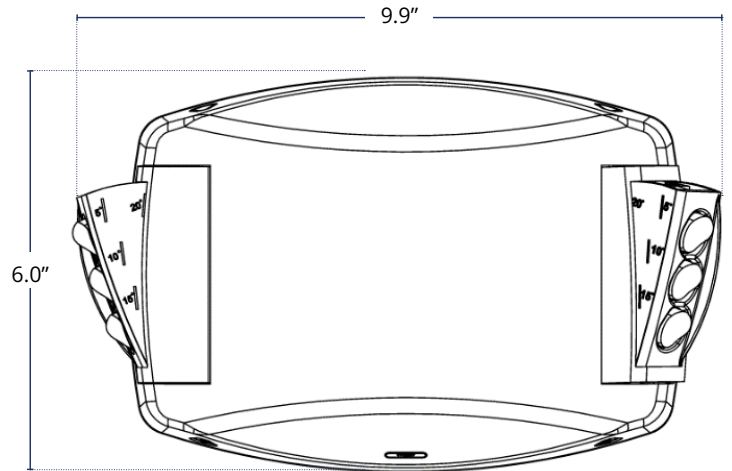


DIMENSIONS

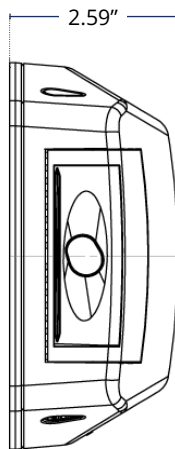
FRONT: CLOSED

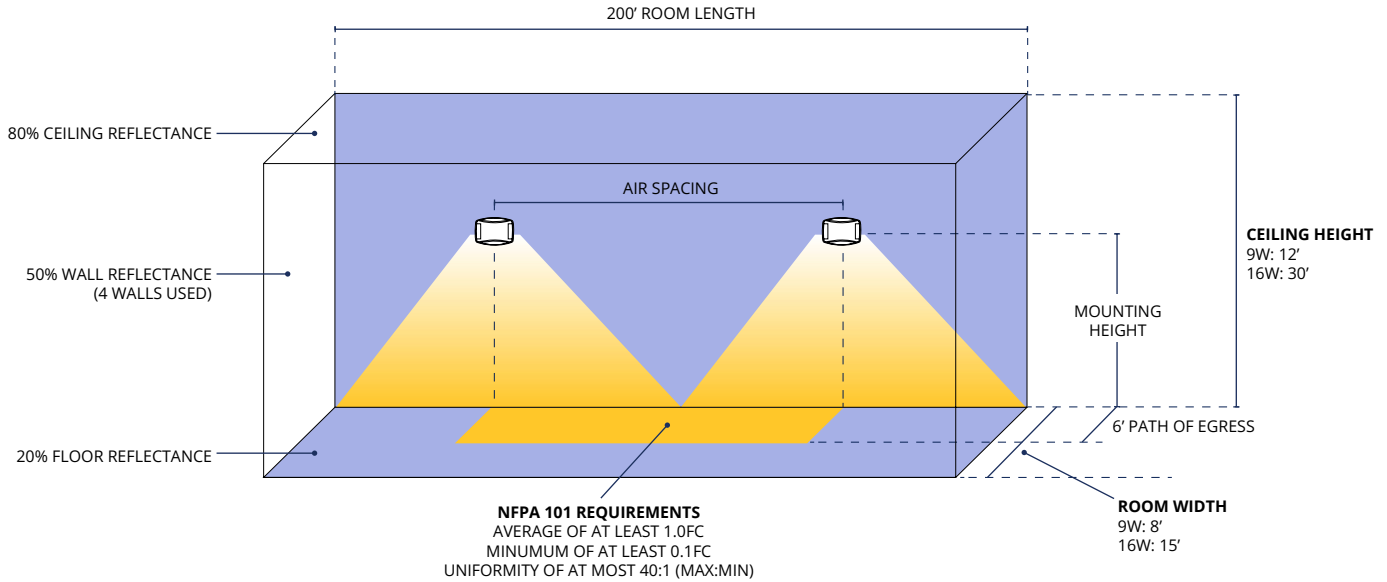


FRONT: OPEN FULL TILT



SIDE




ROOM SPECIFICATIONS


9W WITH TILT IN VARIOUS ROOM TYPES												
LAMP WATTAGE	FIXTURE WATTAGE	# OF LEDS (PER LAMP)	LED CURRENT	TILT	ROOM TYPE	REFLECTANCE	PATH WIDTH (FT)	MOUNTING HEIGHT (FT)	SPACING (FT)	AVERAGE (≥ 1.0FC)	MINIMUM (≥ 0.1FC)	MAXIMUM/MINIMUM (≤ 40:1)
4.5W	9W	1	1.5A	0°	Enclosed High Bay (Retail Open)	80/50/20	6	7.5	66	1.00	0.15	10.85
				15°		80/50/20	6	10	72	1.17	0.11	29.58
				15°		80/50/20	6	12	71	1.00	0.27	8.43
				20°		80/50/20	6	14	68	1.00	0.24	9.78
				20°		80/50/20	6	16	59	1.00	0.23	8.30
				20°		80/50/20	6	18	52	1.00	0.21	10.83
				0°	Enclosed Corridor	80/50/20	6	20	44	1.01	0.26	7.66
				0°		80/50/20	6	7.5	78	1.01	0.37	4.91
				0°		80/50/20	6	8	8	1.01	0.43	3.80
				0°	80/50/20	6	9	9	1.00	0.38	3.63	
15°	80/50/20	6	10	10	1.24	0.10	32.71					

16W REMOTE CAPACITY STANDARD FIXTURE WITH TILT IN AN ENCLOSED HIGH BAY (RETAIL OPEN)												
LAMP WATTAGE	FIXTURE WATTAGE	# OF LEDS (PER LAMP)	LED CURRENT	TILT	ROOM TYPE	REFLECTANCE	PATH WIDTH (FT)	MOUNTING HEIGHT (FT)	SPACING (FT)	AVERAGE (≥ 1.0FC)	MINIMUM (≥ 0.1FC)	MAXIMUM/MINIMUM (≤ 40:1)
5W	10W	3	595mA	0°	Enclosed High Bay (Retail Open)	80/50/20	6	7.5	91	1.00	0.21	9.93
				0°		80/50/20	6	10	66	1.00	0.19	7.23
				15°		80/50/20	6	12	90	1.07	0.11	28.63
				20°		80/50/20	6	16	80	1.00	0.25	9.56
				20°		80/50/20	6	20	63	1.00	0.21	9.93
				20°		80/50/20	6	24	48	1.00	0.35	4.69

16W STANDARD FIXTURE WITH TILT IN AN ENCLOSED HIGH BAY (RETAIL OPEN)												
LAMP WATTAGE	FIXTURE WATTAGE	# OF LEDS (PER LAMP)	LED CURRENT	TILT	ROOM TYPE	REFLECTANCE	PATH WIDTH (FT)	MOUNTING HEIGHT (FT)	SPACING (FT)	AVERAGE (≥ 1.0FC)	MINIMUM (≥ 0.1FC)	MAXIMUM/MINIMUM (≤ 40:1)
8W	16W	3	910mA	0°	Enclosed High Bay (Retail Open)	80/50/20	6	7.5	121	1.00	0.15	18.08
				0°		80/50/20	6	10	88	1.01	0.20	8.27
				10°		80/50/20	6	12	111	1.00	0.13	21.34
				15°		80/50/20	6	16	94	1.00	0.25	9.40
				20°		80/50/20	6	20	83	1.00	0.26	8.13
				20°		80/50/20	6	24	68	1.00	0.25	9.90