



2040-70

Vandal Proof Institutional Self-Luminous Exit Sign

DATE:	COMMENTS:
PROJECT:	

FEATURES

- Designed to stand up to abuse in applications such as schools, institutions, public areas and apartment complexes where vandalism may occur.
- Requires no electricity, external light source, lamps, batteries, or wires resulting in easy install and no maintenance.
- Constructed with a beveled edge, heavy duty, cast aluminum frame with an unbreakable polycarbonate faceplate and an extruded aluminum double face design.
- Approved for floor proximity or above-door applications.
- Approved for use in damp, wet, hazardous, and extreme temperature locations.
- Special wording and pictograms are available upon request.
- 10 or 20 year service life options are available.



CLICK THE IMAGE TO VIEW ALTERNATE PRODUCT PHOTOS

Only available with Adobe Acrobat and Acrobat Reader

ORDERING INFORMATION 2040-70-10-1-BK-BA-MB

1. SERIES	2. SERVICE LIFE	3. FACE COUNT	4. FACE COLOR	5. FRAME COLOR	6. MOUNTING	7. OPTIONS
2040-70	-	-	-	-	-	-
	10 10 Years 20 20 Years	1 Single 2 Double	BK Black G Green R Red	BA Brushed Aluminum BK Black WH White BZ Bronze	MB Surface Wall Mount ¹ MT Top Mount / Surface Ceiling	BLANK = NO OPTION CW Custom Wording

ORDERING NOTES

- Single Face Only

ACCESSORIES; ORDER SEPARATELY

- WG-20.0LX19.0WX9.0D** = Wireguard, Length: 20", Width: 19", Depth: 9"
- WG-26.0LX19.0WX9.0D** = Wireguard, Length: 26", Width: 19", Depth: 9"

SPECIFICATIONS

CONSTRUCTION

- Cast aluminum frame, 0.187" thick, extends from faceplate at 45° angle from the wall.
- Four holes for #10 tamper-resistant screws.
- Aluminum stencil

LETTERS

- 6" high; 0.75" stroke

ARROWS

- Universal chevrons

VIEWING DISTANCE

- 100 foot visibility rating

TECHNOLOGY

- Isolite Self-Luminous Signs are illuminated with a light source that consists of glass tubes which are internally coated with phosphor and filled with tritium gas, a natural hydrogen isotope.

WEIGHT

- Single Face: 7 lbs
- Double Face: 26.8 lbs

TEMPERATURE RATING

- From -67°F to 176°F

APPROVALS

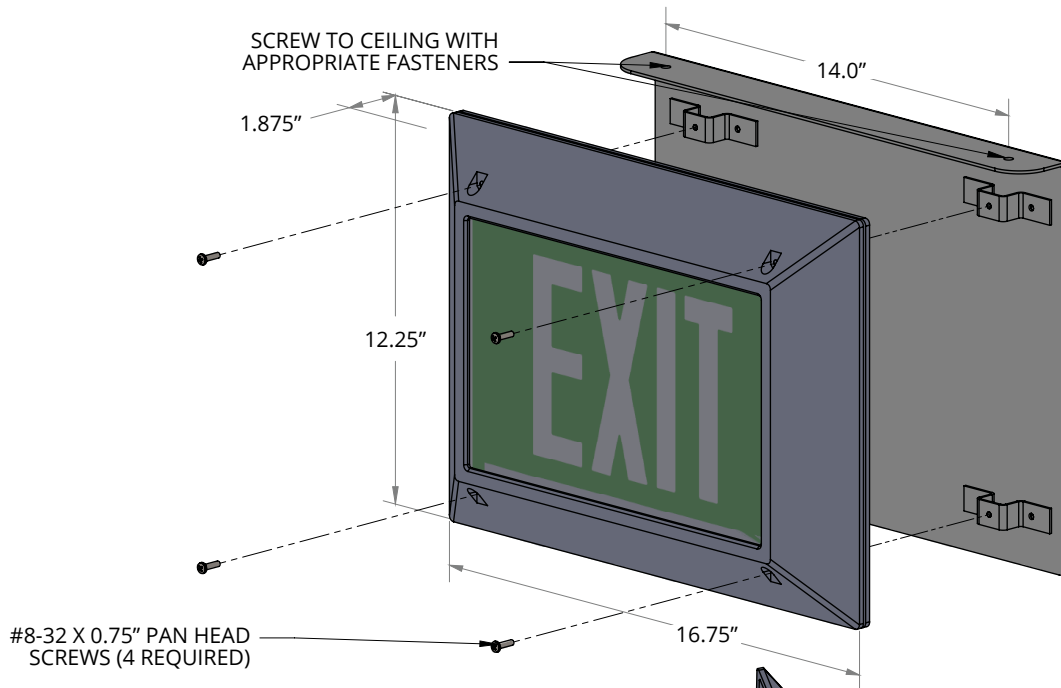
- UL Listed to standard UL 924 & CAN/ULC-S572
- NFPA 101 Life Safety Code
- NEC Article 500, Class I, II, and III conditions

WARRANTY

- Our self-luminous products are warranted against any defects in material or workmanship for the rated life of the product. For further details, refer to General Warranty and Obligations in the Isolite manual or on our website.

DIMENSIONS

SINGLE FACE MOUNTING



DOUBLE FACE MOUNTING

