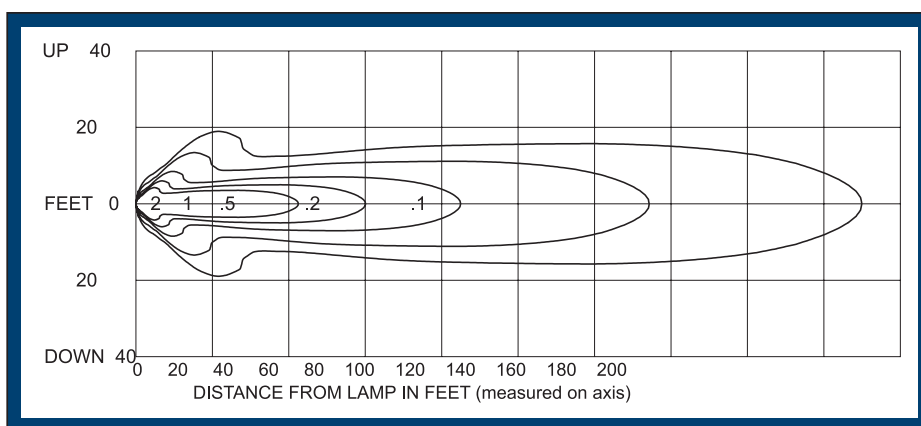




Isofootcandle Distribution Curves MR11-25W Superflux

VERTICAL



HORIZONTAL

