



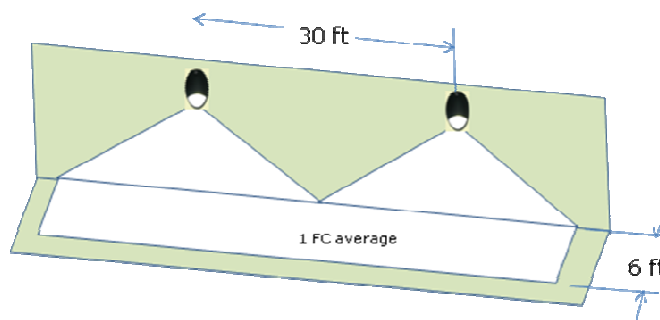
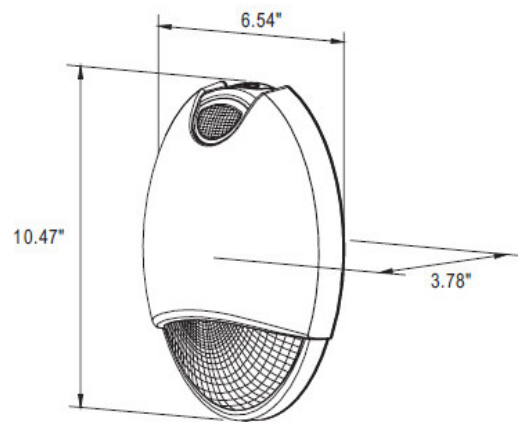
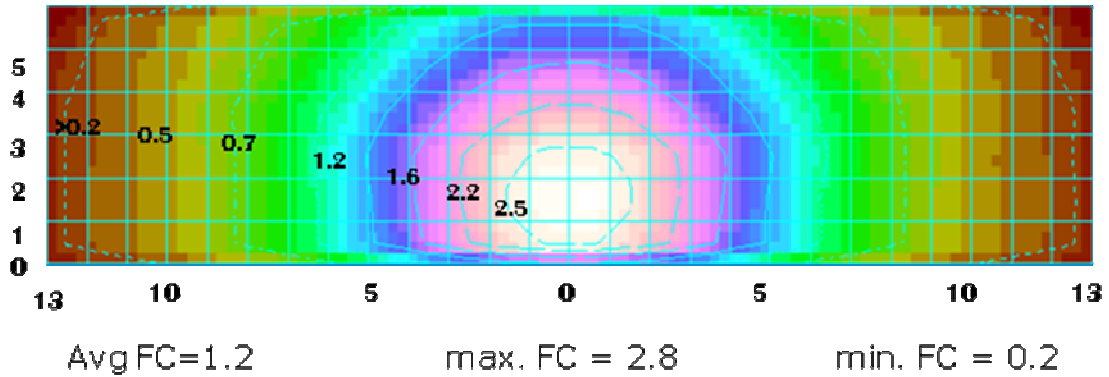
The ELED Series emergency light provides an attractive solution to applications that require low profile egress emergency lighting with rugged durability and good looks. Constructed of die-cast aluminum with a polycarbonate refractor and finished in epoxy powder coat, the ELED is gasket sealed ready for use in both outdoor and indoor applications.

FEATURES

- Wet location listed for indoor or outdoor applications 0 to 50 deg C
- Optional cold temperature package for -20 to 50 C applications
- Rugged die-cast aluminum construction
- Durable powder coat finish available in Dark Bronze or Pure White
- Snap fit assembly with vandal resistant latch clips; no visible hardware
- Gasket sealed to suit universal junction boxes
- Conduit entry provided on top of unit
- Available as an AC only fixture
- UV stabilized polycarbonate refractor resists yellowing and provides uniform distribution
- 10 Watt high output LED module for superior illumination and long (50,000 hour) lamp life
- Photocell activation for nighttime/security lighting or switch controlled for normal lighting
- Integral push to test switch with easily visible Bi-color LED diagnostic indicator
- Self Test / Self Diagnostic circuit is provided as standard thereby reducing manual testing obligations
- Automated 28 day self test checks lamp, battery, electronic circuitry, over a short one minute test. Extended 30 and 90 minute emergency duration tests are automatically conducted
- Premium long life, high temperature Nickel Cadmium battery
- Sealed externally accessible test switch for manual momentary test operation
- Field selectable 120 or 277 VAC input
- Brownout sensing assures emergency illumination during periods of low line voltage
- Self-compensating solid state Constant Current Charger provides extended float life and rapid recharge
- Zero current LVCO ensures positive charge acceptance following an extended discharge
- Listed to UL 924 Damp and Wet locations
- 3 year limited warranty

Emergency Light Illuminance Display

LED Source color temperature: 5000K, illuminance data unit: ft-candle
 Mounting height 7.5ft, 6-foot egress illuminance raster chart



ORDERING INFORMATION

SERIES	OPERATION	HOUSING COLOR	OPTIONS
ELED	AC = AC Only with optional photocell EM = NiCad Bat	WW = All White BZ = Bronze	H1 = Cold Weather -